

**EXTERIOR WALL PANEL ASSEMBLY DRAWINGS  
FOR THE:**

**USING THE**



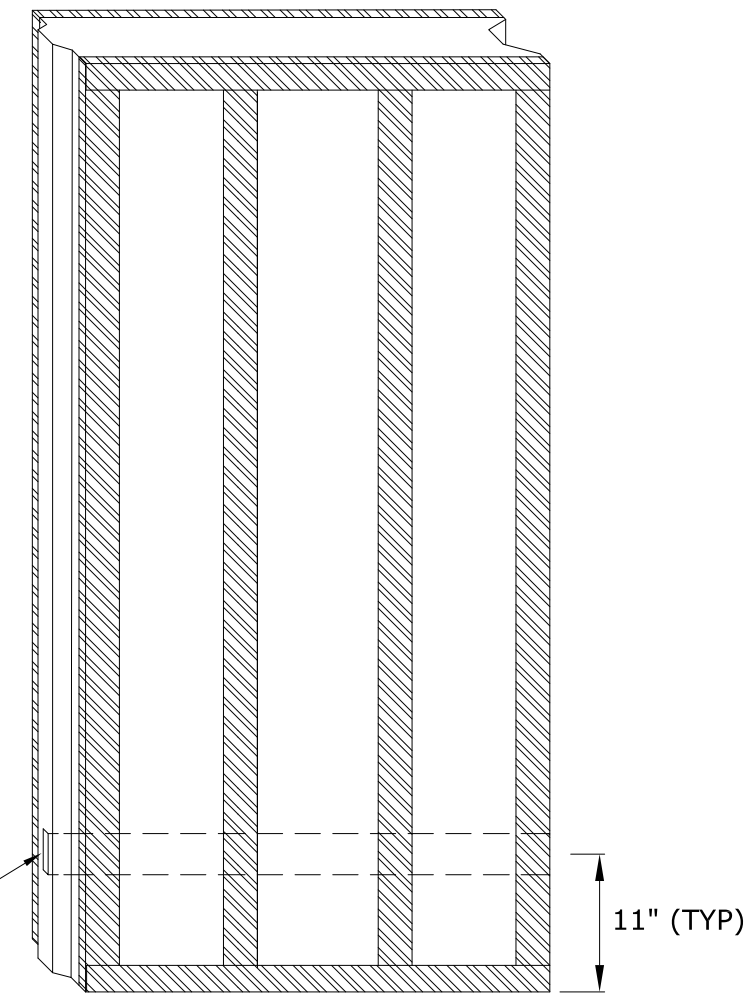
**WALLFRAME SYSTEM**

**MANUFACTURED BY**

**ThermaSteel Inc.**  
609 West Rock Road  
Radford, VA 24141  
540-633-5000

**General Notes:**

- \* The drawings herein are manufacturing and assembly drawings. The contractor/ owner shall be solely responsible for verifying all dimensions, site conditions and all state and local code requirements are met.
- \* ThermaSteel wall panels are to be 5 1/2" thick with 24 GA T/S metal @ 16" O.C., unless noted.
- \* All walls are to receive metal track, top & bottom, per engineering specs.
- \* All door and window openings are per contractor / owner.
- \* All rough openings are to have metal surrounds.
- \* All engineering of the structure, including the ThermaSteel specifications, is to be completed and/or approved by the Project Engineer/Engineer of Record. If buyer decides not to use engineering and structural design services (which have an additional fee), buyer shall assume all responsibility and liability for the structure and the seller shall have no liability in relation thereto.
- \* Contractor is to confirm that all rough openings meet local egress and minimum light and ventilation requirements.
- \* Contractor is to refer to the architectural prints for all information not provided by ThermaSteel.
- \* ThermaSteel will provide reasonable technical assistance as requested with regards of the use of the ThermaSteel Building System.
- \* ThermaSteel will provide panel layout drawings (shop drawings) for the installation of panels, special panel requirements (if any), requirements for attachment and connection details for ThermaSteel panels.
- \* ThermaSteel shop drawings are based on the architectural prints provided by the customer.
- \* All electrical, plumbing, HVAC, additional mechanical systems, exterior and interior finished and etc. is the responsibility of the contractor/ owner.



**TYPICAL WIRECHASE LOCATION**  
PANEL AS VIEWED FROM OUTSIDE  
OF THE STRUCTURE

**ABBREVIATIONS**

@	At	MAX.	Maximum
A.F.F.	Above Finish Floor	MIN.	Minimum
"C"	Metal "C"	MISC.	Miscellaneous
C.J.	Ceiling Joist	NLE	No Leading Edge
CMU	Concrete Masonry Unit	NLL	No Lap Left
CONC.	Concrete	NLR	No Lap Right
COR.	Corner	NOM.	Nominal
DIA.	Diameter	O.C.	On Center
ENG.	Engineer / Engineering	OPT.	Optional
EXT.	Exterior	P.T.	Pressure Treated
F.J.	Floor Joist	RAD.	Radius
FT.	Foot / Feet	SF	Square Foot / Square Feet
FTG.	Footing	SQ.	Square
GA	Gauge	SPEC.	Specification
HDR.	Header	TYP.	Typical
INT.	Interior	W/	With
INSUL.	Insulation / Insulated	W.W.M.	Welded Wire Mesh
JST.	Joist		
"L"	Metal "L"		
L.F.	Linear Foot / Linear Feet		
L.V.L.	Laminated Veneer Lumber		

**Additional Compliance Reports**

HUD - Bulletin # 1072  
UL-File NC 554  
South Florida - HTL98072  
Florida Product Approval - FL3491, FL2039  
Energy Star Partner

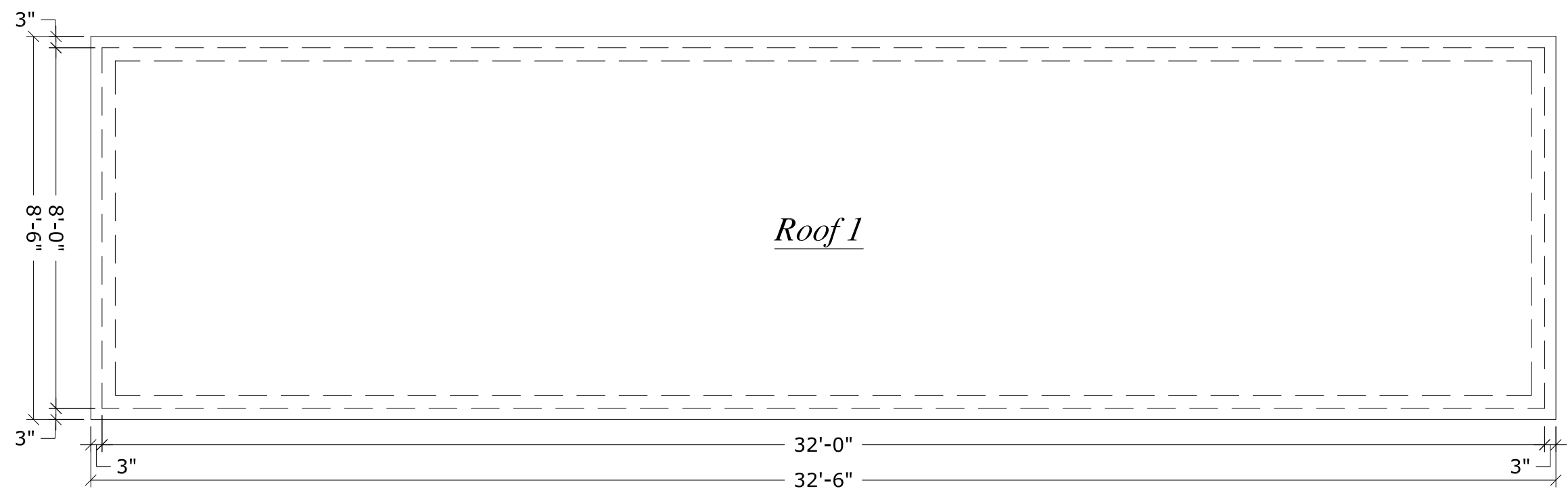
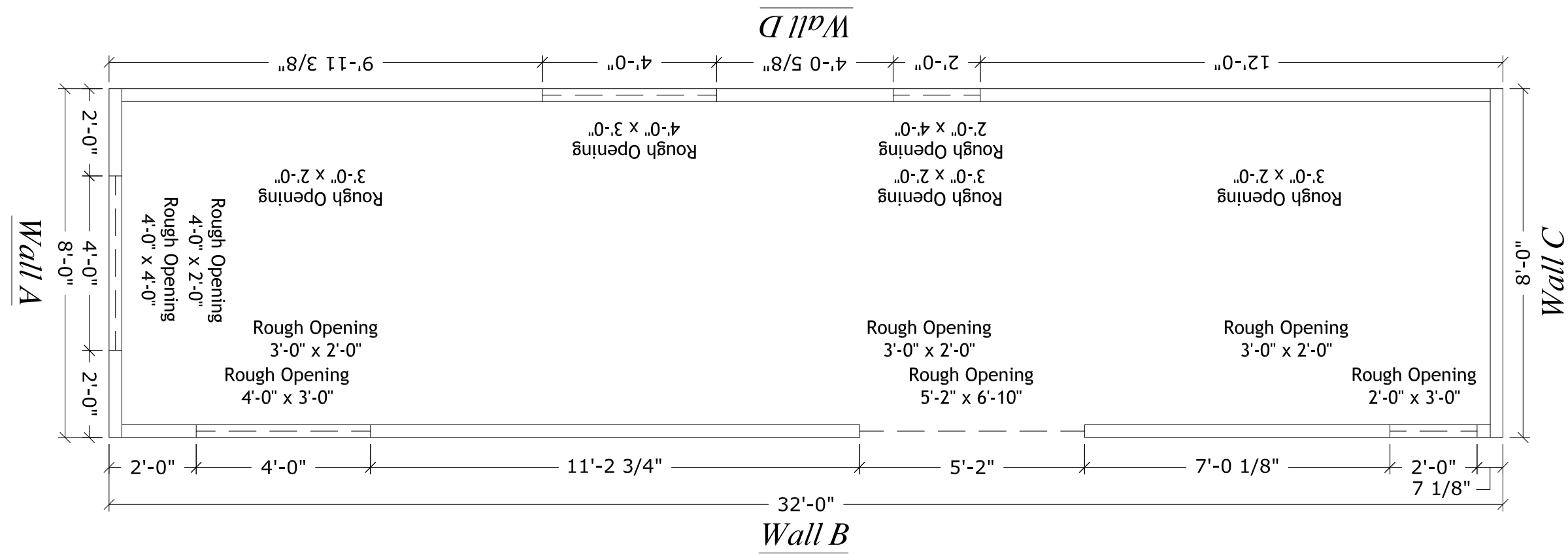
**Building Code Listings**

ICC - ES - Legacy Report # PFC-4216  
BOCA - Report # 91-40  
ICBO - Report # PFC-4216  
SBCCI - Report # 2143

THE DRAWINGS HEREIN ARE MANUFACTURING DRAWINGS ONLY. CONTRACTOR SHALL BE SOLELY RESPONSIBLE FOR VERIFYING ALL DIMENSIONS, SITE CONDITIONS, AND THAT ALL STATE AND LOCAL CODE REQUIREMENTS ARE MET.  
THERMASTEEL BUILDING SYSTEMS - MANUFACTURED BY THERMASTEEL RP Ltd. - WEST ROCK ROAD RADFORD, VA 24141  
PHONE (540) 633-5000 FAX (540) 633-5001 www.thermasteelinc.com

FINISH DATE:	02/09/2018
REVISION:	
DRAWN:	B Revell
DESIGNED:	
SCALE:	NTS
JOB NUMBER	

**Cover**



# Floor Plan

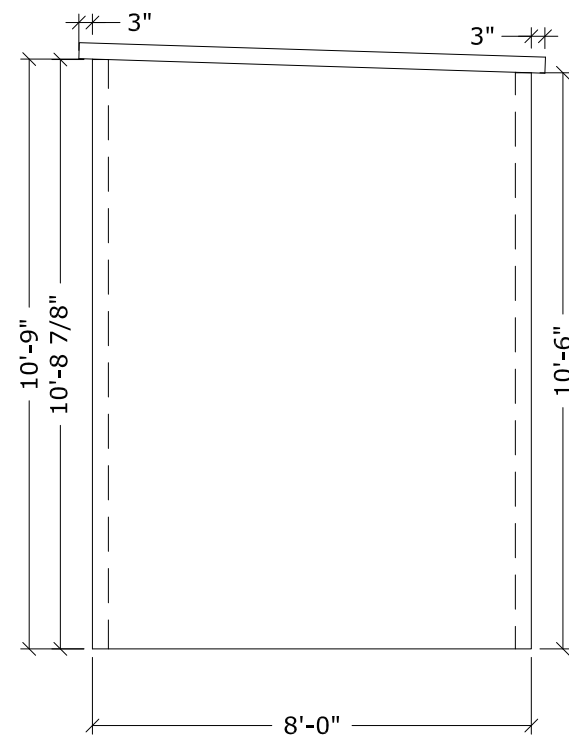
FINISH DATE:	
REVISION:	
SCALE:	NTS
DESIGNED:	
DRAWN:	B Revell



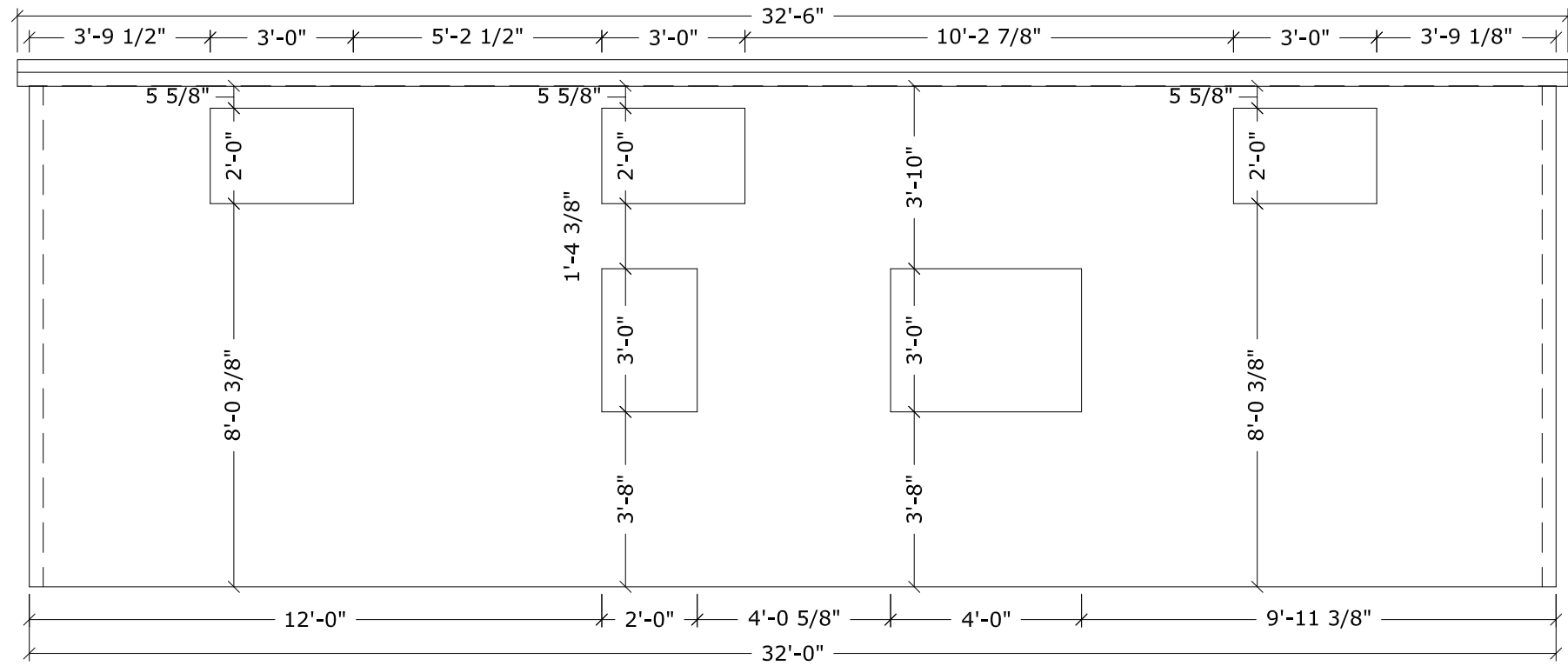
SHEET  
**FP-1**

JOB NUMBER

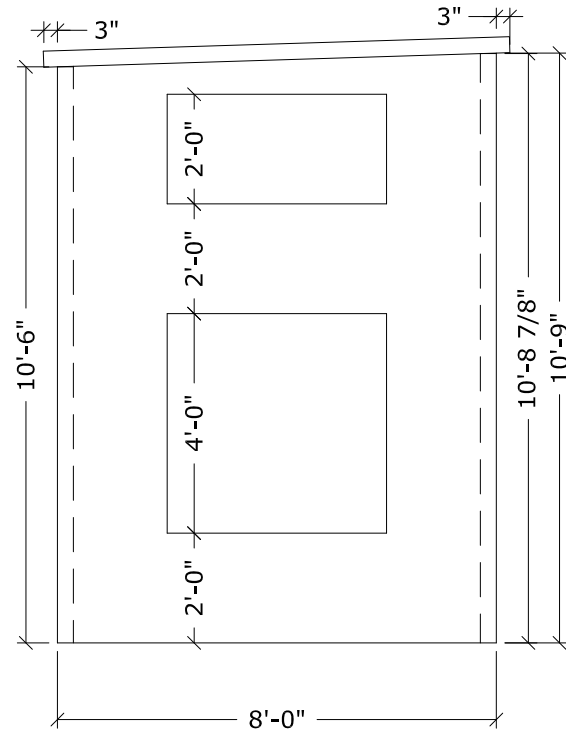
All engineering of the structure, including the ThermoSteel Building System specifications, is to be completed and/or approved by the Project Engineer and/or the Engineer of Record.  
 THERMASTEEL WALLFRAME SYSTEMS - MANUFACTURED BY THERMASTEEL Inc. - 609 WEST ROCK ROAD RADFORD, VA 24141 - PHONE (540) 633-5000, FAX (540) 633-5001 www.thermasteelinc.com  
 THE DRAWINGS HEREIN ARE PANEL MANUFACTURING DRAWINGS ONLY. CONTRACTOR SHALL BE SOLELY RESPONSIBLE FOR VERIFYING ALL DIMENSIONS, SITE CONDITIONS, AND THAT ALL STATE AND LOCAL CODE REQUIREMENTS ARE MET.



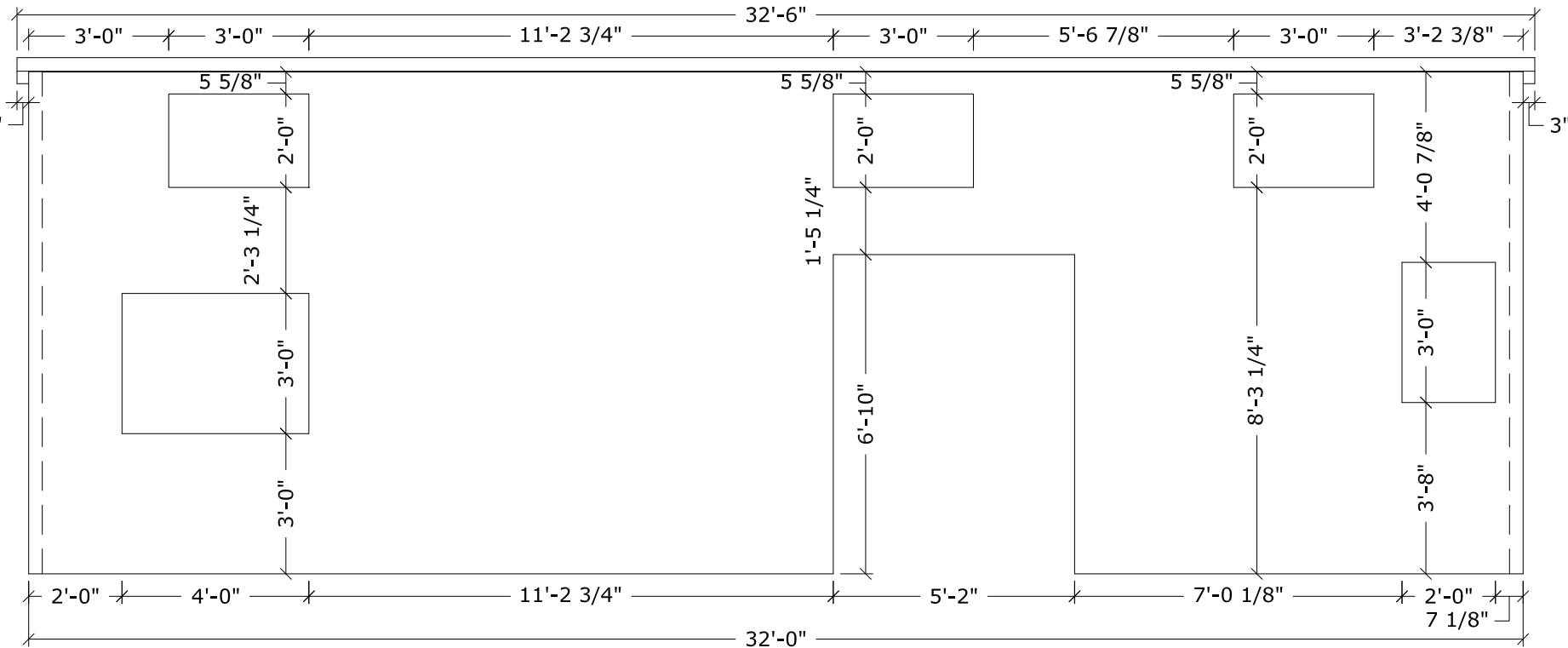
*Front*



*Driver Side*



*Rear*



*Passenger Side*

# Elevations

FINISH DATE:	
REVISION:	
SCALE:	NTS
DESIGNED:	
DRAWN:	B Revell

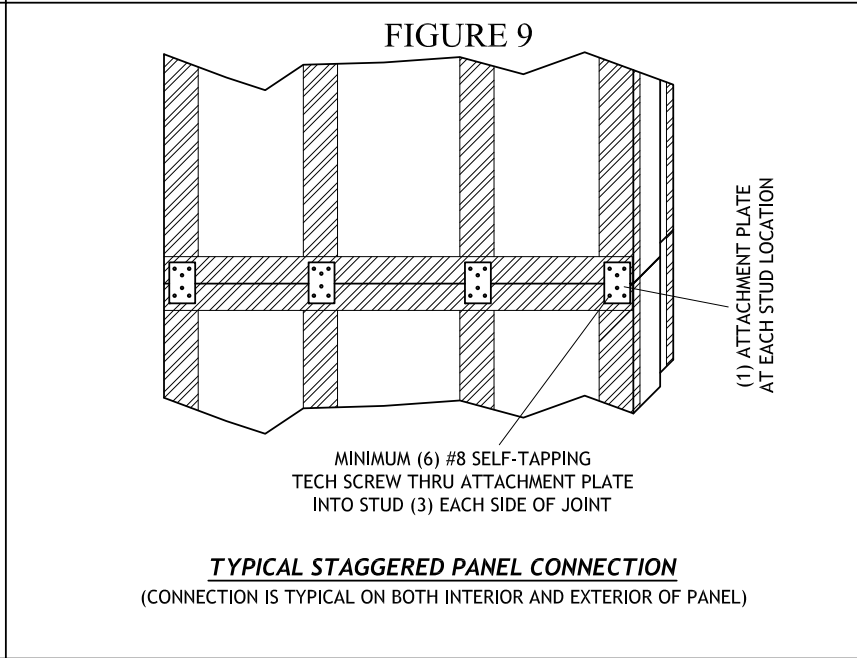
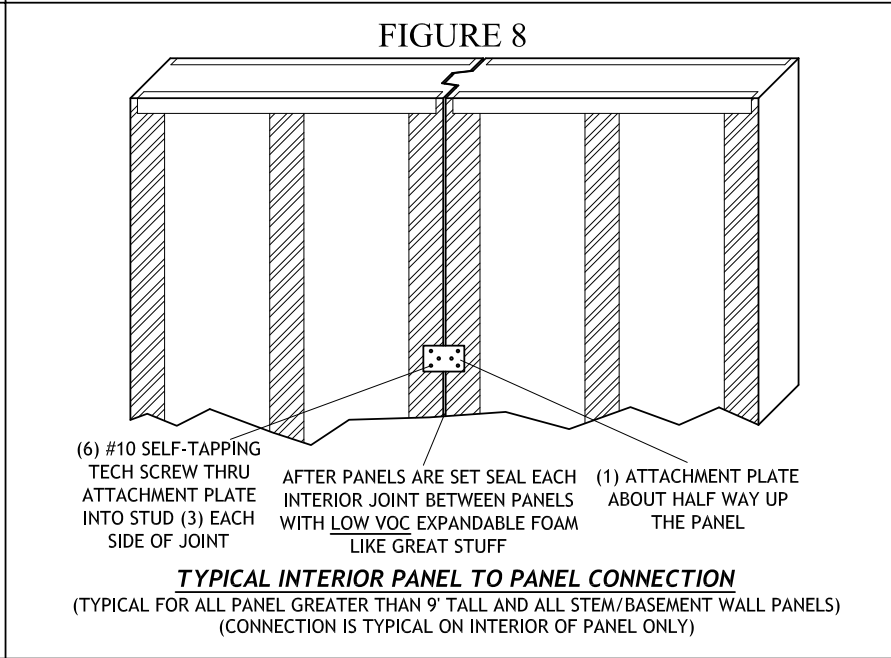
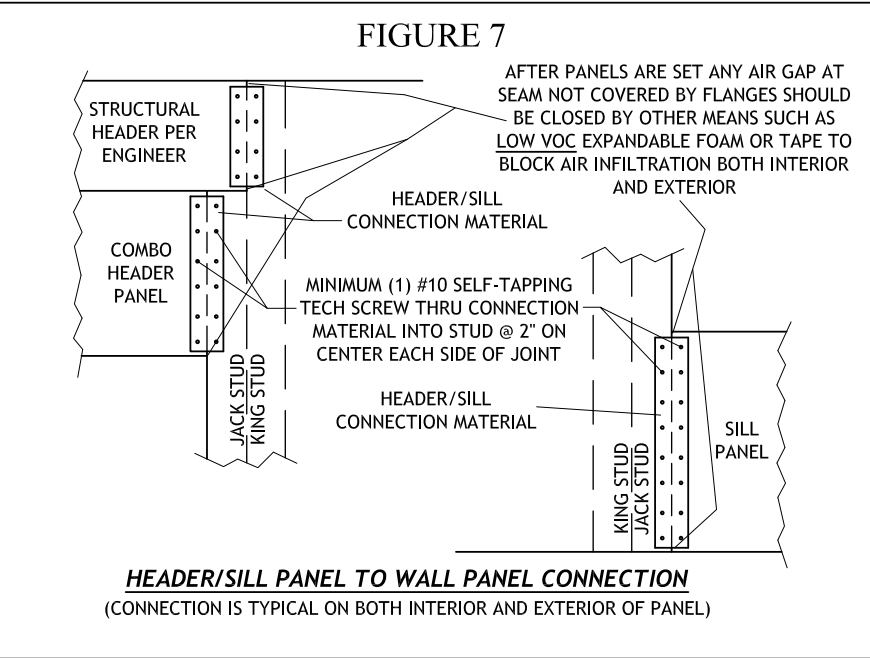
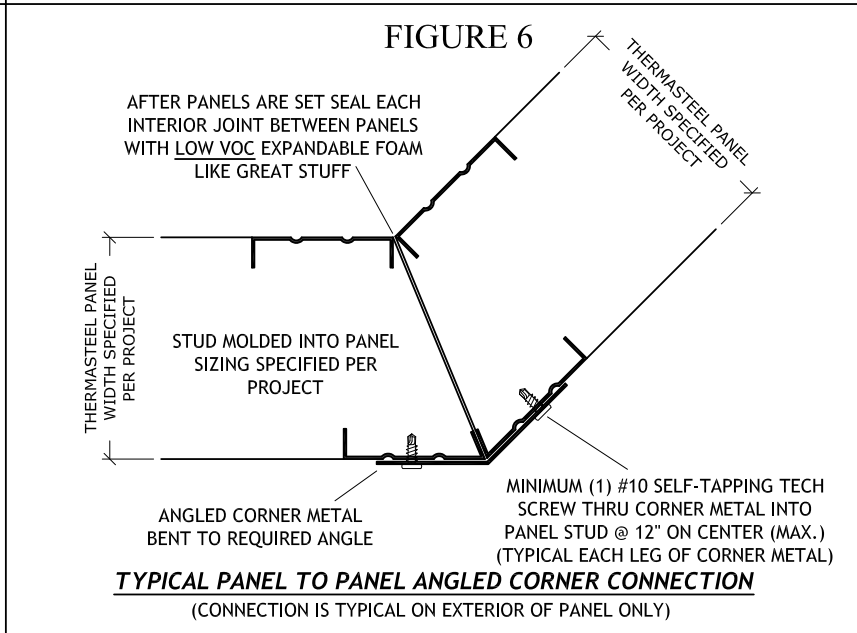
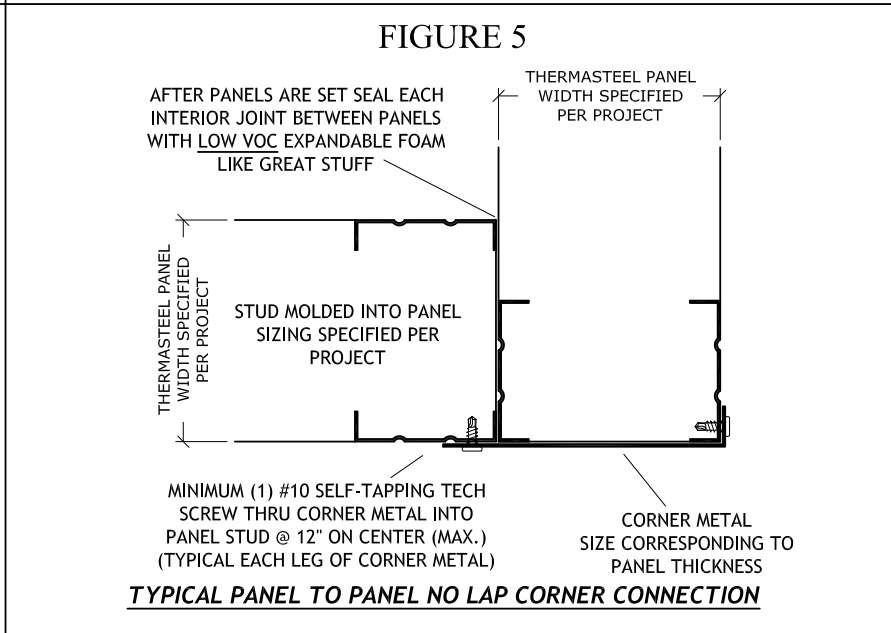
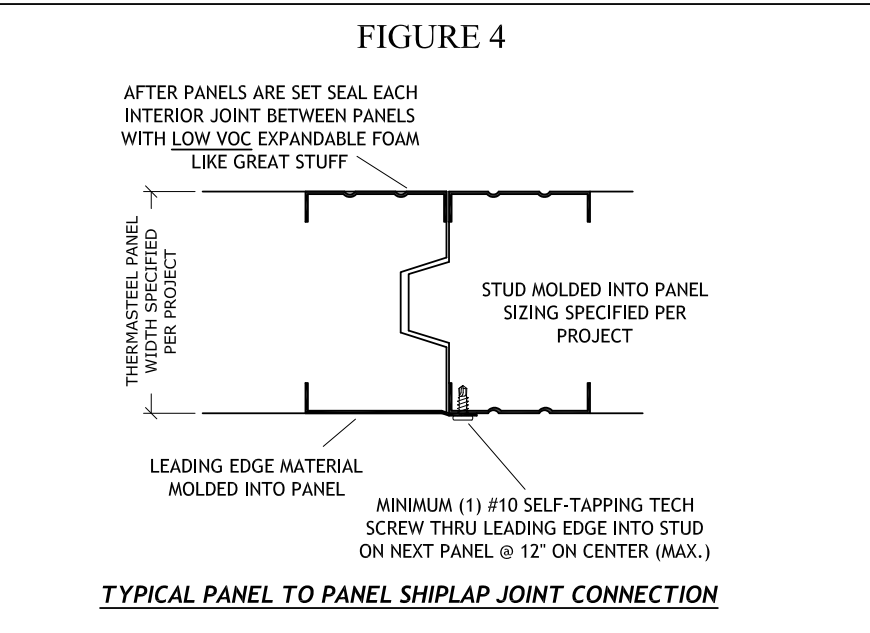
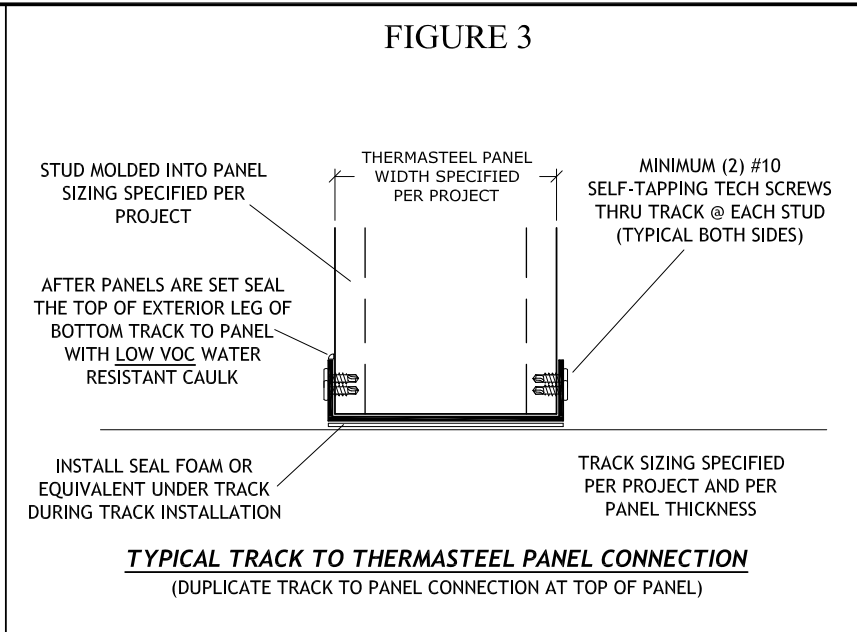
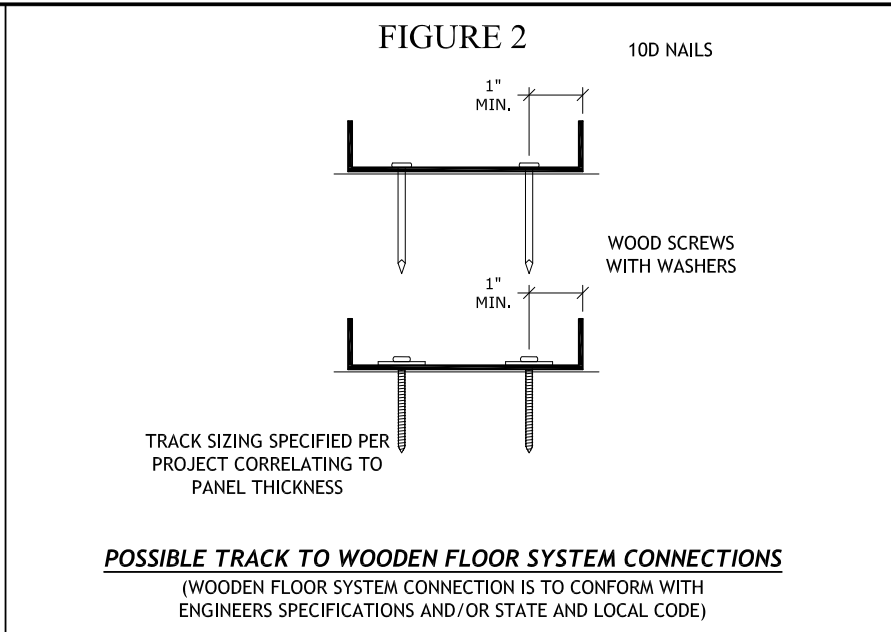
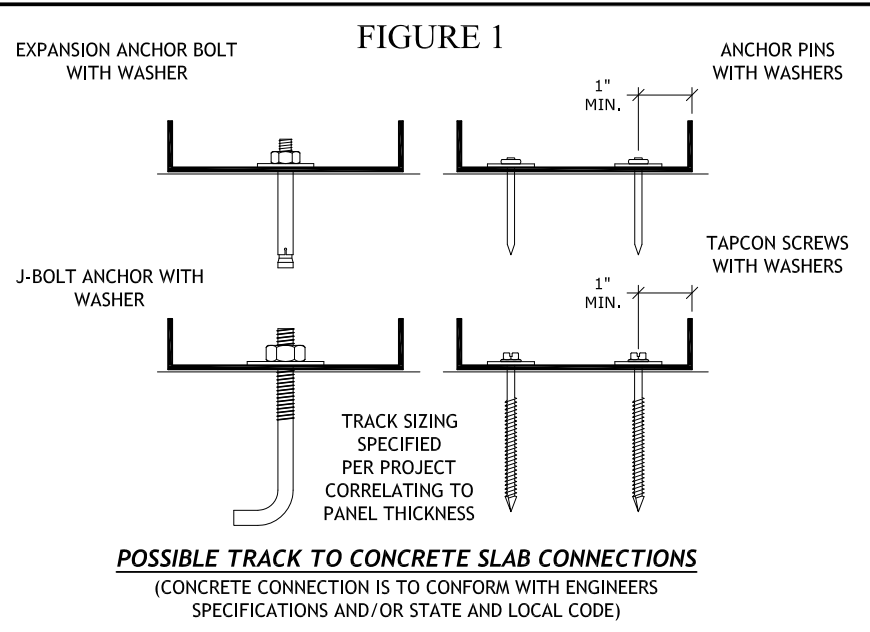


JOB NUMBER

SHEET

**EV-1**

All engineering of the structure, including the ThermoSteel Building System specifications, is to be completed and/or approved by the Project Engineer and/or the Engineer of Record.  
 THERMASTEEL WALLFRAME SYSTEMS - MANUFACTURED BY THERMASTEEL Inc. - 609 WEST ROCK ROAD RADFORD, VA 24141 - PHONE (540) 633-5000, FAX (540) 633-5001 www.thermasteelinc.com  
 THE DRAWINGS HEREIN ARE PANEL MANUFACTURING DRAWINGS ONLY. CONTRACTOR SHALL BE SOLELY RESPONSIBLE FOR VERIFYING ALL DIMENSIONS, SITE CONDITIONS, AND THAT ALL STATE AND LOCAL CODE REQUIREMENTS ARE MET.



**THERMASTEEL™**  
ADVANCED PANEL SYSTEMS

MANUFACTURED BY THERMASTEEL Inc.  
WWW.THERMASTEELINC.COM  
609 WEST ROCK ROAD, RADFORD, VA. 24141  
TEL (540) 633-5000 FAX (540) 633-5001

**TYPICAL WALL PANEL CONNECTION DETAILS**

THE DRAWINGS HEREIN ARE MANUFACTURING DRAWINGS ONLY. CONTRACTOR SHALL BE SOLELY RESPONSIBLE FOR VERIFYING ALL DIMENSIONS, SITE CONDITIONS, AND THAT ALL STATE AND LOCAL CODE REQUIREMENTS ARE MET.

**APPROVED FOR PRODUCTION:**

DATE: \_\_\_\_\_

SCALE: N.T.S.

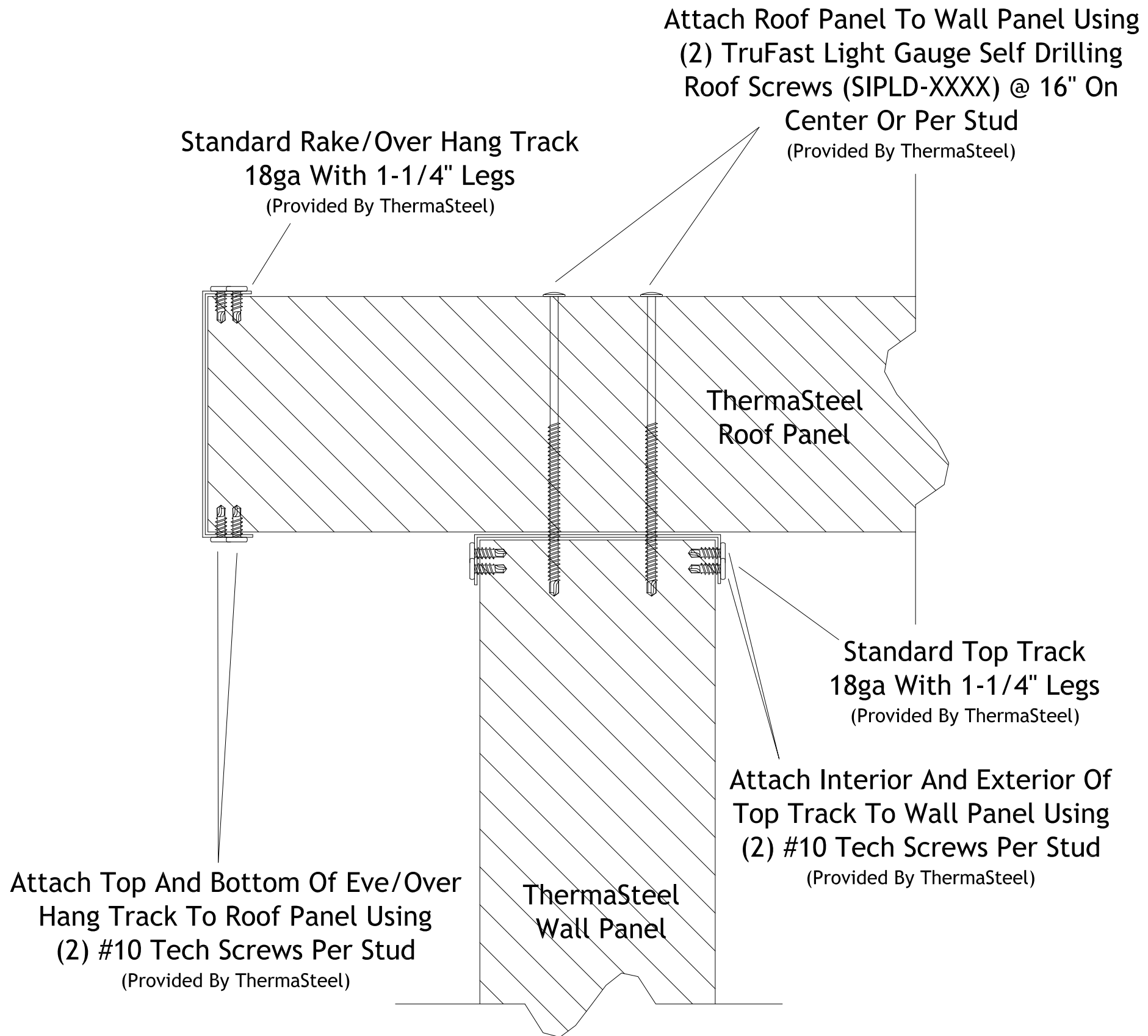
DRAWN: \_\_\_\_\_

DESIGNED: \_\_\_\_\_

REVISED: \_\_\_\_\_

SHEET NUMBER

**CD-1**



## Suggested Connection Detail

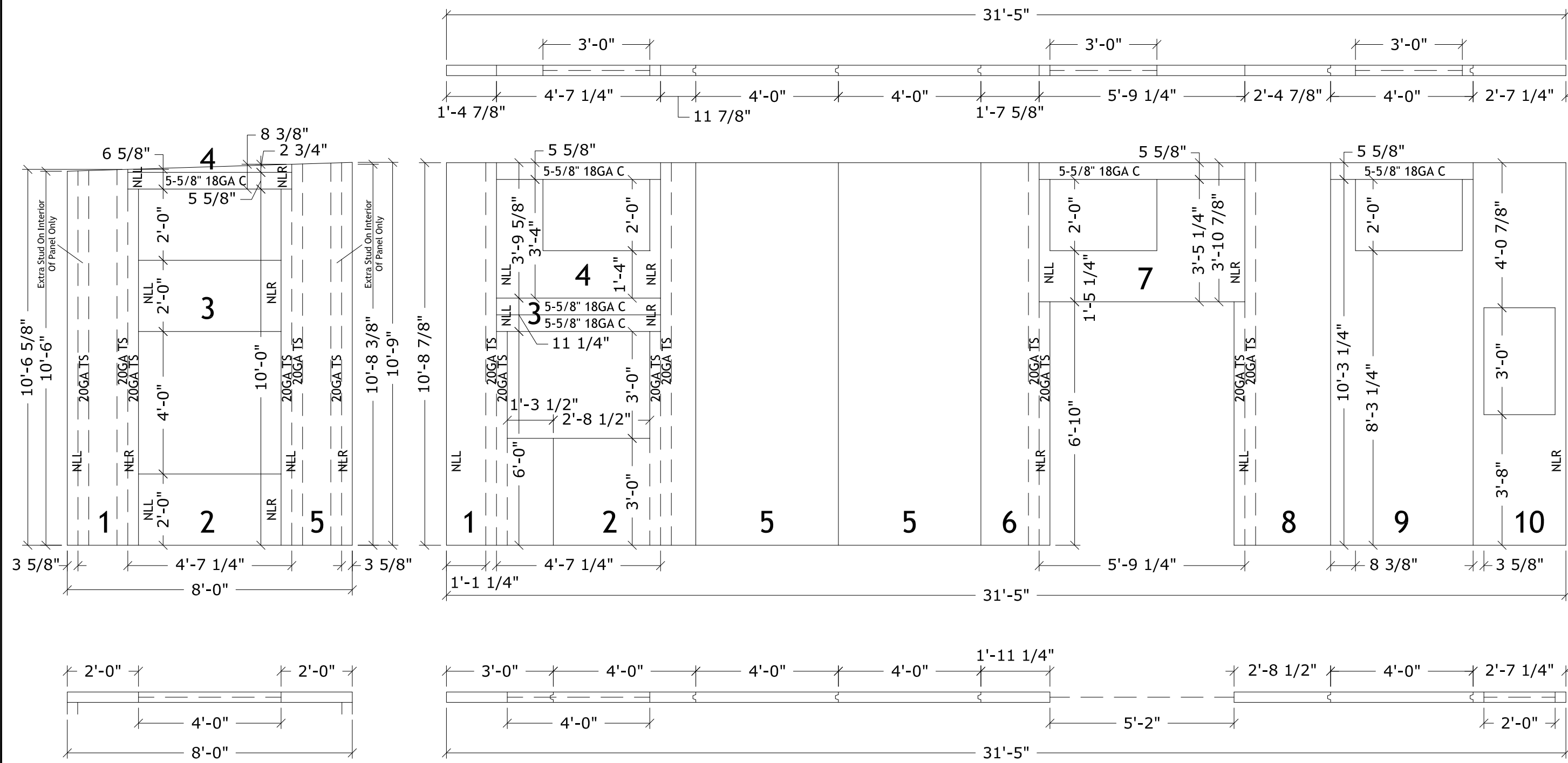
FINISH DATE:  
REVISION:  
SCALE: NTS  
DESIGNED:  
DRAWN: B Revell



JOB NUMBER

SHEET

**CD-2**



**Wall A**  
 3 1/2" PANELS  
 20GA TS @ 16" O.C.

**Wall B**  
 3 1/2" PANELS  
 20GA TS @ 16" O.C.

FINISH DATE:	
REVISION:	
SCALE:	NTS
DESIGNED:	
DRAWN:	B Revell

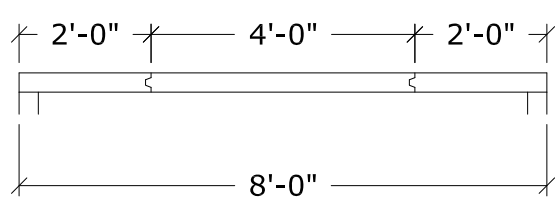
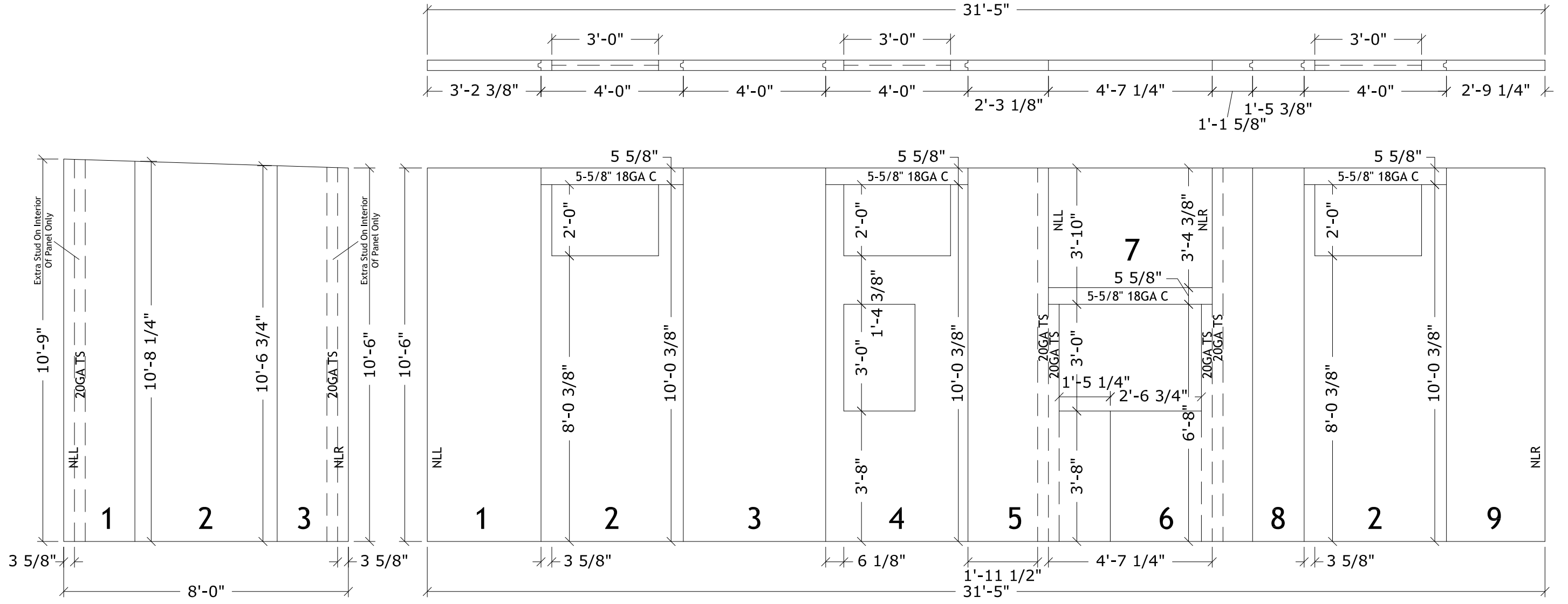
**THERMASTEEL**  
 ADVANCED PANEL SYSTEMS

**JOB NUMBER**

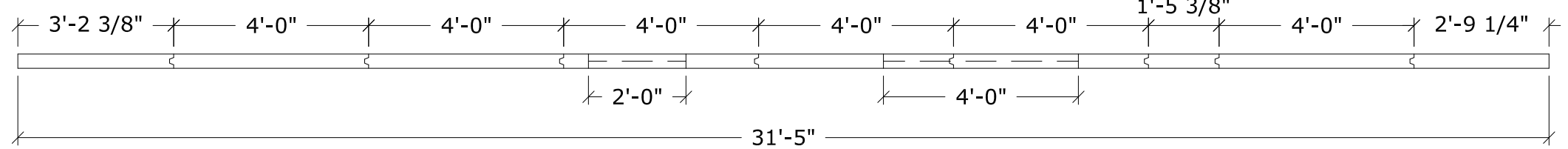
**SHEET**  
**1**

All engineering of the structure, including the ThermoSteel Building System specifications, is to be completed and/or approved by the Project Engineer and/or the Engineer of Record.  
 THERMASTEEL WALLFRAME SYSTEMS - MANUFACTURED BY THERMASTEEL Inc. - 609 WEST ROCK ROAD RADFORD, VA 24141 - PHONE (540) 633-5000, FAX (540) 633-5001 www.thermasteelinc.com  
 THE DRAWINGS HEREIN ARE PANEL MANUFACTURING DRAWINGS ONLY. CONTRACTOR SHALL BE SOLELY RESPONSIBLE FOR VERIFYING ALL DIMENSIONS, SITE CONDITIONS, AND THAT ALL STATE AND LOCAL CODE REQUIREMENTS ARE MET.





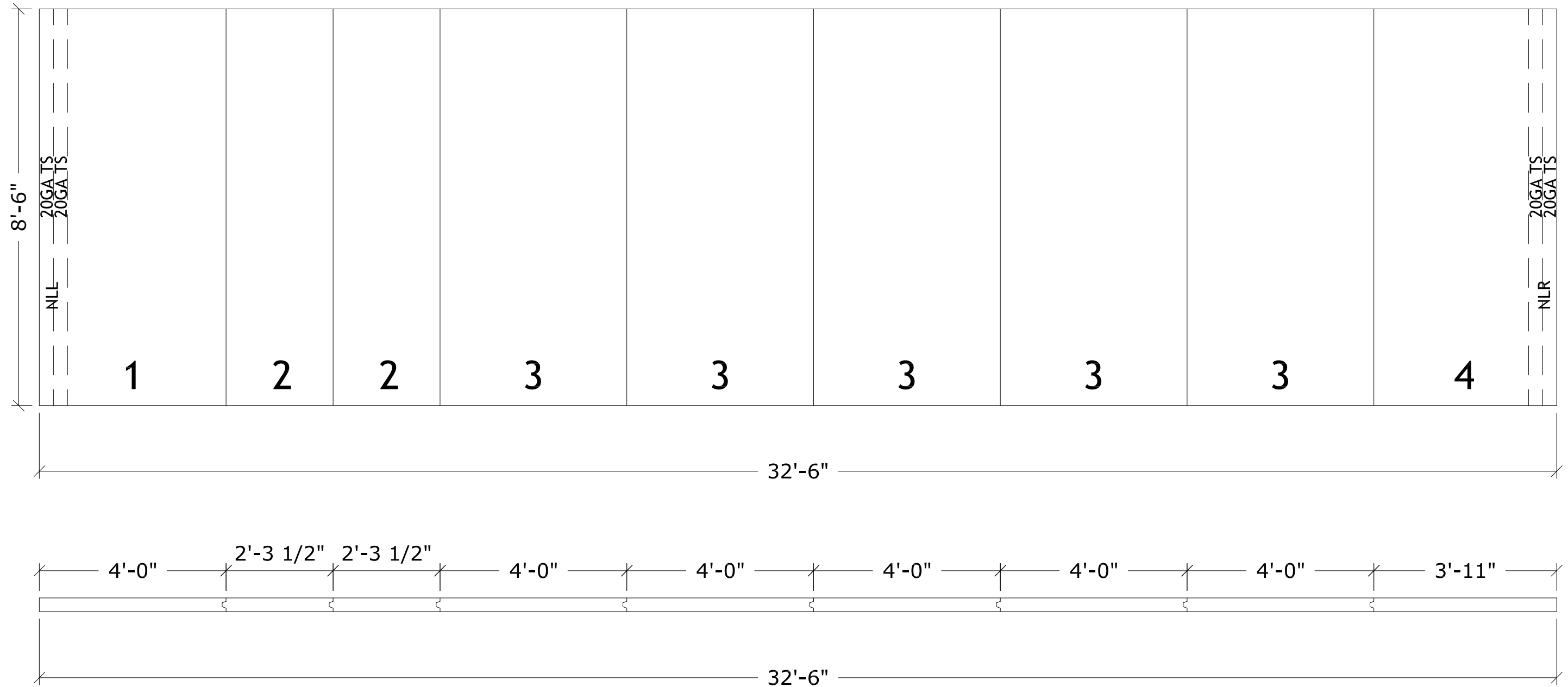
**Wall C**  
 3 1/2" PANELS  
 20GA TS @ 16" O.C.



**Wall D**  
 3 1/2" PANELS  
 20GA TS @ 16" O.C.

FINISH DATE:		 <b>THERMASTEEL</b> ADVANCED PANEL SYSTEMS	<b>SHEET</b>  <h1>2</h1>
REVISION:			
SCALE:	NTS		
DESIGNED:			
DRAWN:	B Revell		
<b>JOB NUMBER</b>			

All engineering of the structure, including the ThermoSteel Building System specifications, is to be completed and/or approved by the Project Engineer and/or the Engineer of Record.  
 THERMASTEEL WALLFRAME SYSTEMS - MANUFACTURED BY THERMASTEEL Inc. - 609 WEST ROCK ROAD RADFORD, VA 24141 - PHONE (540) 633-5000, FAX (540) 633-5001 www.thermasteelinc.com  
 THE DRAWINGS HEREIN ARE PANEL MANUFACTURING DRAWINGS ONLY. CONTRACTOR SHALL BE SOLELY RESPONSIBLE FOR VERIFYING ALL DIMENSIONS, SITE CONDITIONS, AND THAT ALL STATE AND LOCAL CODE REQUIREMENTS ARE MET.



*Roof 1*  
**3 1/2" PANELS**  
**20GA TS @ 16" O.C.**

FINISH DATE:	
REVISION:	
SCALE:	NTS
DESIGNED:	
DRAWN:	B Revell



SHEET

**3**

JOB NUMBER

All engineering of the structure, including the ThermoSteel Building System specifications, is to be completed and/or approved by the Project Engineer and/or the Engineer of Record.  
 THERMASTEEL WALLFRAME SYSTEMS - MANUFACTURED BY THERMASTEEL Inc. - 609 WEST ROCK ROAD RADFORD, VA 24141 - PHONE (540) 633-5000, FAX (540) 633-5001 www.thermasteelinc.com  
 THE DRAWINGS HEREIN ARE PANEL MANUFACTURING DRAWINGS ONLY. CONTRACTOR SHALL BE SOLELY RESPONSIBLE FOR VERIFYING ALL DIMENSIONS, SITE CONDITIONS, AND THAT ALL STATE AND LOCAL CODE REQUIREMENTS ARE MET.